

QTY	Part Description
4	#10-32 x .75 flat head screws
2	Nylon spacers
1	Table stand assembly
4	#8-32 x .5 flat head screws w/washers
2	Plastic Dust plugs

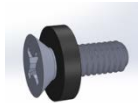
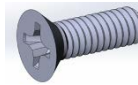
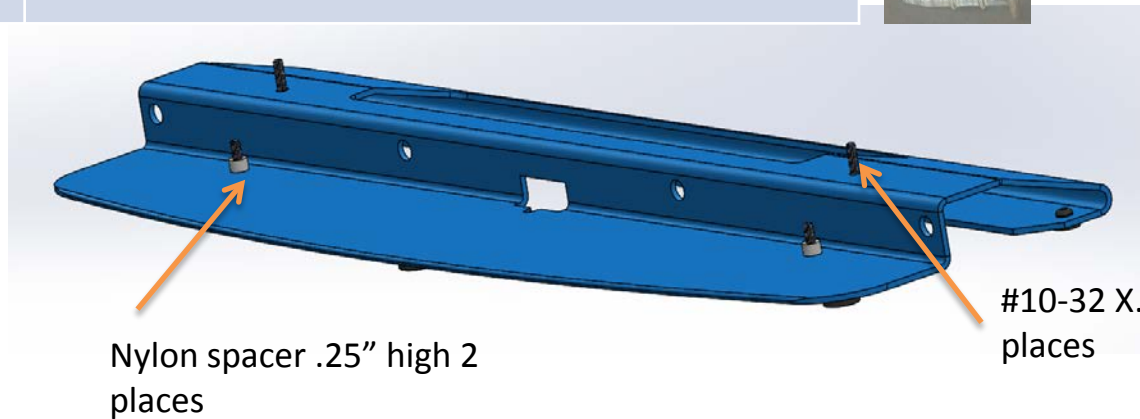


Table Top  
Stand Kit:  
SB-TS327  
SB-TS467

For TV Models:  
SB-3270HD  
SB-4670HD

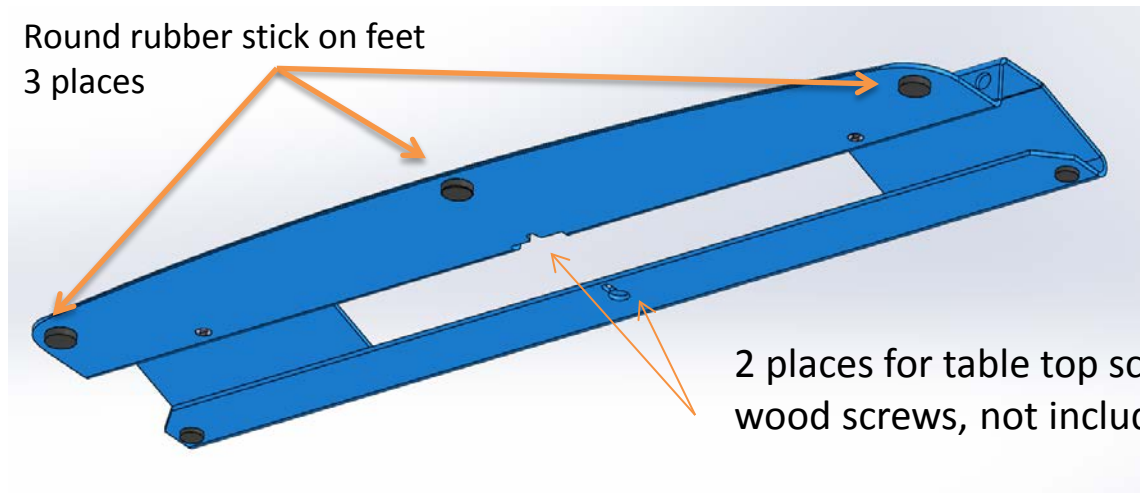


Top View

Nylon spacer .25" high 2 places

#10-32 X.75" screws 4 places

Round rubber stick on feet  
3 places

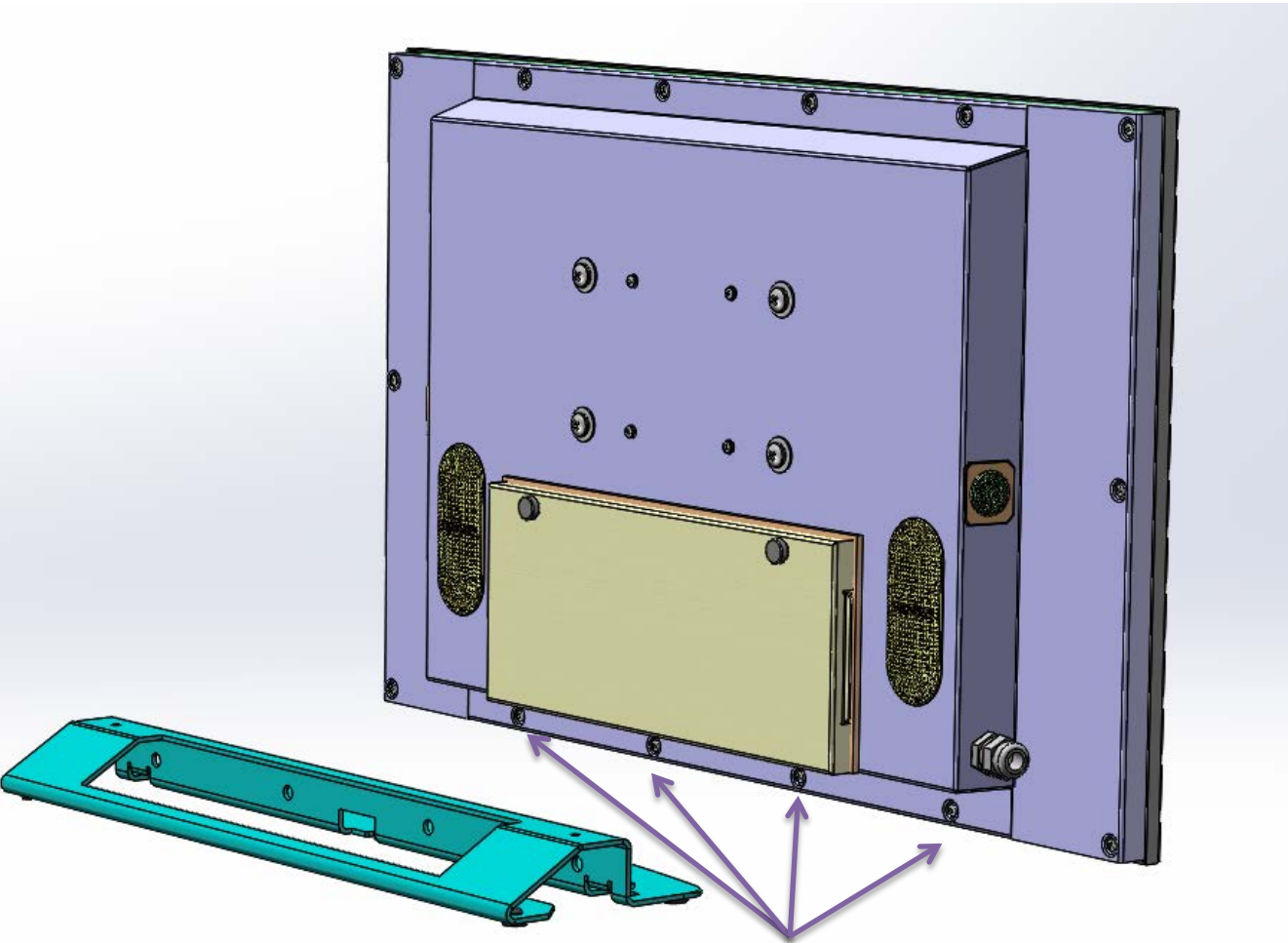


Bottom View

2 places for table top screws #10 wood screws, not included

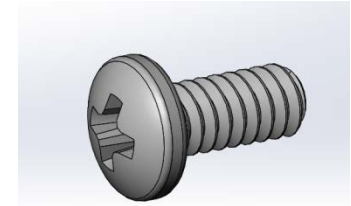
# SB-3270HD

To install the Table Top Stand on the 3270:



Remove these 4 screws and replace with flat head screws with washers provided.

If the 4 bottom screws look like this,



Replace with this

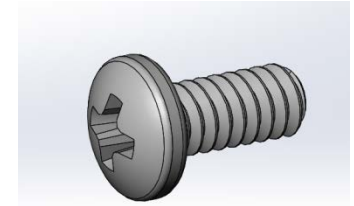


Note: 3270 has 4 screws to replace, 4670 has 3 screws to replace.

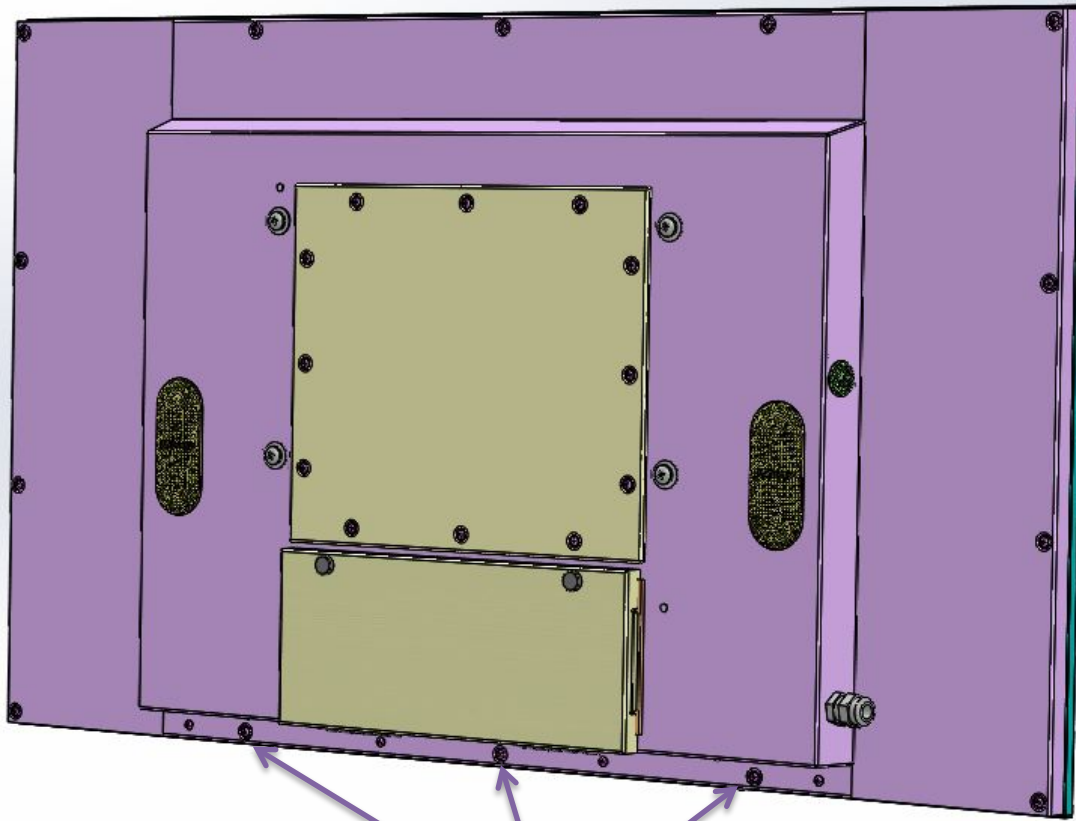
# SB-4670HD

To install the Table Top Stand on the 4670:

If the 3 bottom screws look like this,



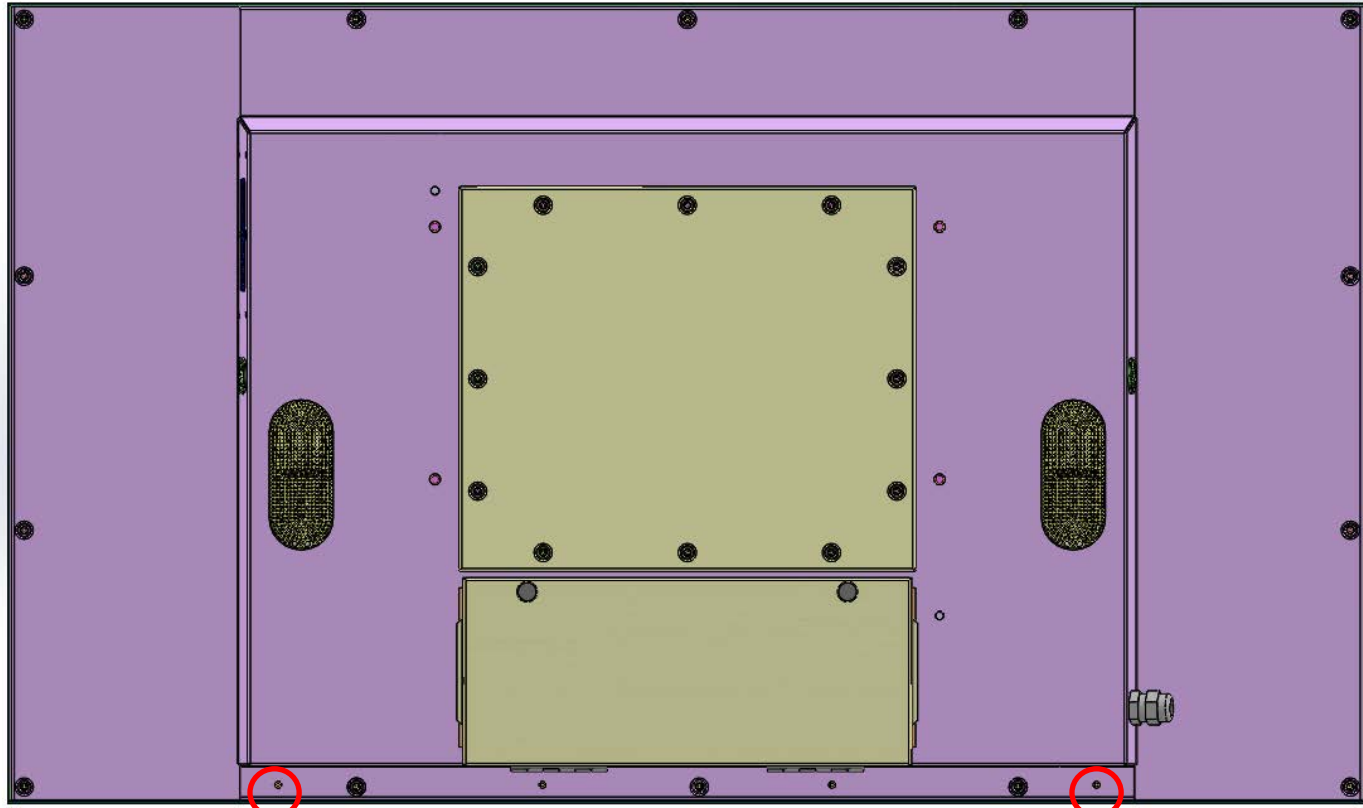
Replace with this



Remove these 3 screws and replace with flat head screws with washers provided.

Note: 3270 has 4 screws to replace, 4670 has 3 screws to replace.

# SB-4670HD



Remove these 2 screws and replace them with the plastic Dust Plug

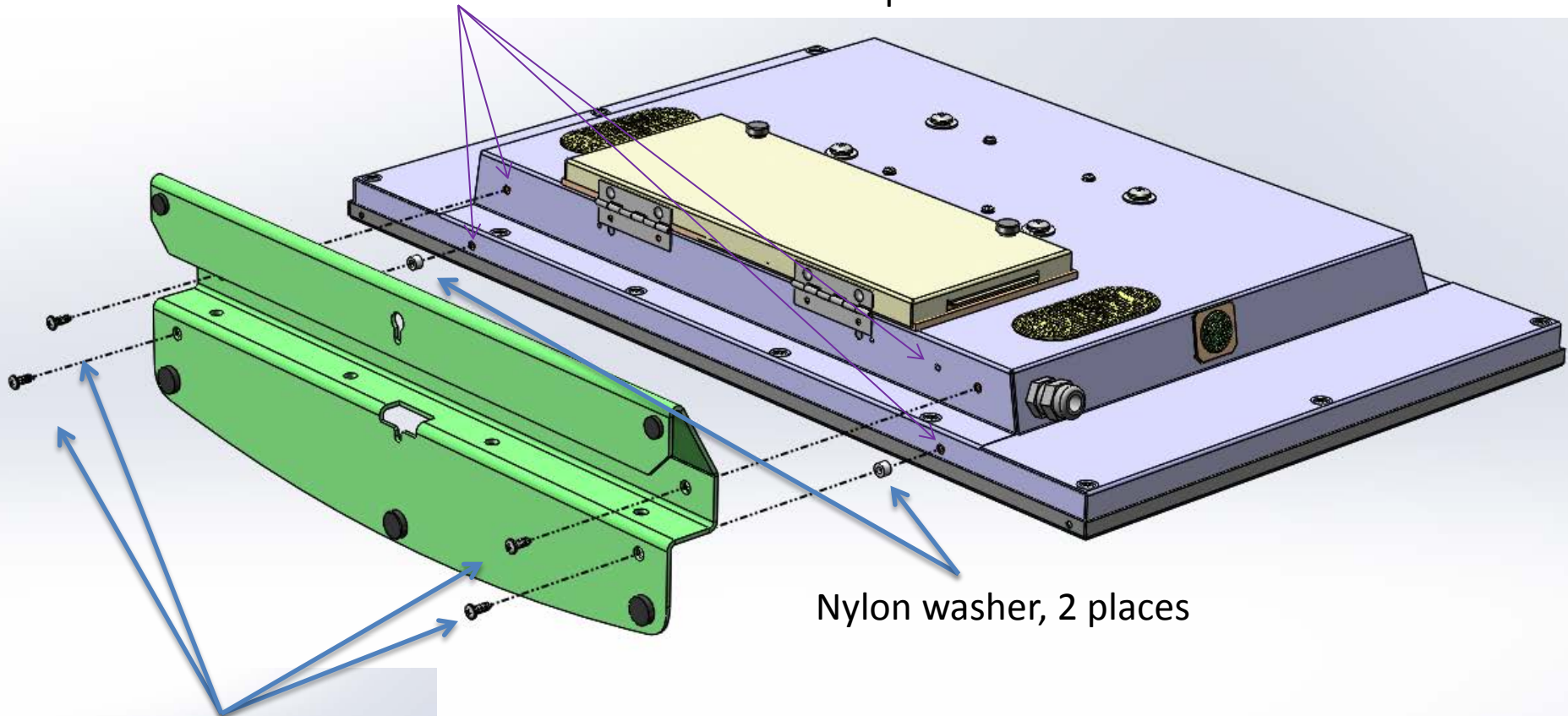


SB-3270HD

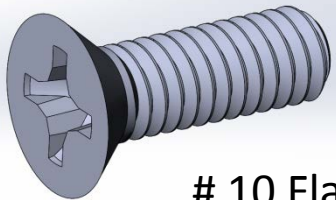
SB-4670HD

Assemble table top stand with #10 flat head screws.

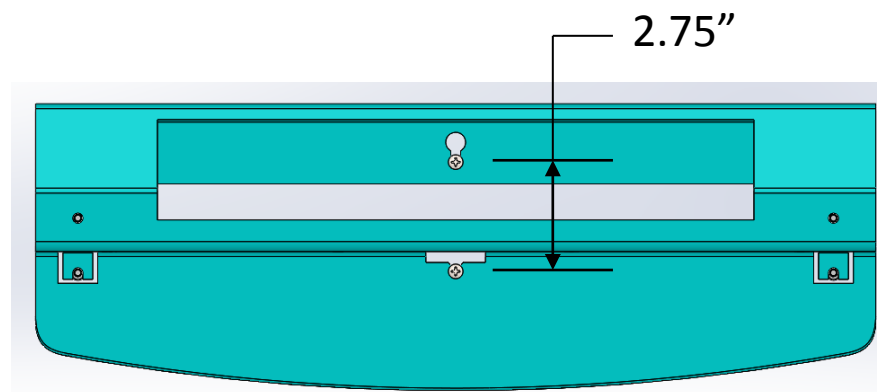
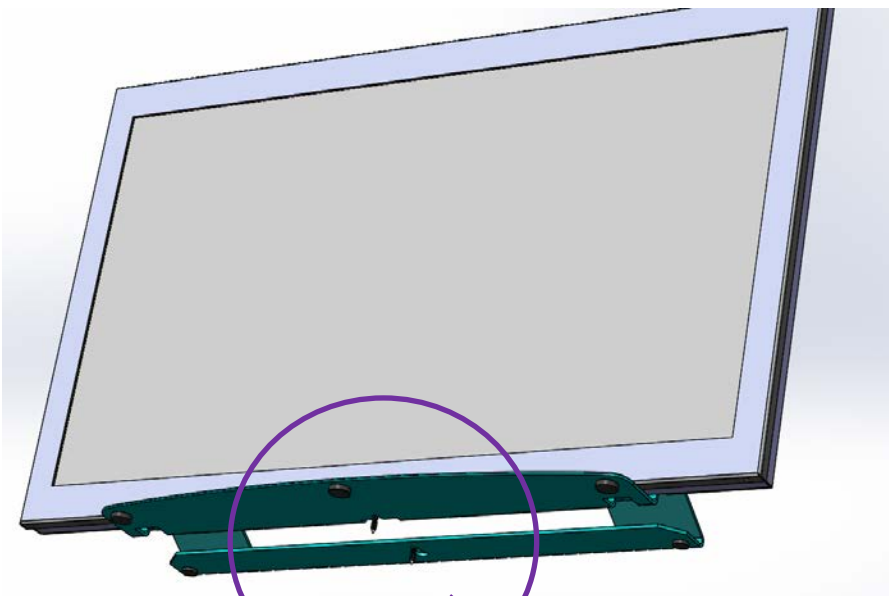
Remove screws that come with the TV and discard in 4 places



Nylon washer, 2 places



# 10 Flat head screw 4 places



Secure stand to deck with two screws 2.75" apart.  
Screw are not included.

